

(19) World Intellectual Property Organization  
International Bureau



(43) International Publication Date  
3 November 2005 (03.11.2005)

PCT

(10) International Publication Number  
WO 2005/103674 A2

- (51) International Patent Classification<sup>7</sup>: G01N 29/02, 11/16, 29/22, 9/00, G01H 13/00
- (21) International Application Number: PCT/US2005/013642
- (22) International Filing Date: 20 April 2005 (20.04.2005)
- (25) Filing Language: English
- (26) Publication Language: English
- (30) Priority Data: 60/564,371 21 April 2004 (21.04.2004) US
- (71) Applicant (for all designated States except US): SYMYX TECHNOLOGIES, INC.; 3100 Central Expressway, Santa Clara, CA 95051 (US).
- (71) Applicant and
- (72) Inventor: KOLOSOV, Oleg [GB/US]; 1045 Arlington Lane, San Jose, CA 95129 (US).
- (72) Inventors; and
- (75) Inventors/Applicants (for US only): BENNETT, James [US/US]; 1196 Philips Court, Santa Clara, CA 95051 (US). DALES, Cameron, G. [US/US]; 18640 Perego

Way, Saratoga, CA 95070 (US). FEELAND, John, M., III [US/US]; 671 Barron Avenue, Palo Alto, CA 94306 (US). LOW, Eric [US/US]; 89 Rengstorff, Apt.1, Mountain View, CA 94043 (US). MATSEIV, Leonid [RU/US]; 1060 Aldebrook Lane, San Jose, CA 95129 (US). RUST, William, C. [US/US]; 1012 Marilyn Drive, Mountain View, CA 94040 (US). SPITKOVSKY, Mikhail [RU/US]; 1363 Zurich Terrace, Sunnyvale, CA 94087 (US). UHRICH, Mark [US/US]; 264 Iris Street, Redwood City, CA 94062 (US).

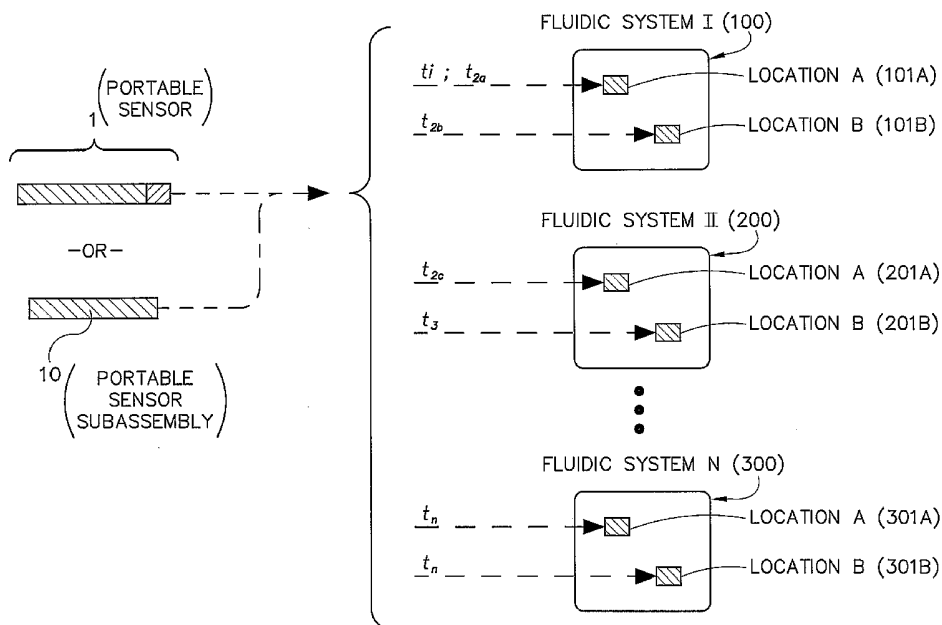
(74) Agent: STONE, Paul, A.; Symyx Technologies, Inc., 3100 Central Expressway, Santa Clara, CA 95051 (US).

(81) Designated States (unless otherwise indicated, for every kind of national protection available): AE, AG, AL, AM, AT, AU, AZ, BA, BB, BG, BR, BW, BY, BZ, CA, CH, CN, CO, CR, CU, CZ, DE, DK, DM, DZ, EC, EE, EG, ES, FI, GB, GD, GE, GH, GM, HR, HU, ID, IL, IN, IS, JP, KE, KG, KM, KP, KR, KZ, LC, LK, LR, LS, LT, LU, LV, MA, MD, MG, MK, MN, MW, MX, MZ, NA, NI, NO, NZ, OM, PG, PH, PL, PT, RO, RU, SC, SD, SE, SG, SK, SL, SM, SY, TJ, TM, TN, TR, TT, TZ, UA, UG, US, UZ, VC, VN, YU, ZA, ZM, ZW.

(84) Designated States (unless otherwise indicated, for every kind of regional protection available): ARIPO (BW, GH,

[Continued on next page]

(54) Title: PORTABLE FLUID SENSING DEVICE AND METHOD



(57) Abstract: Fluid monitoring methods, systems and apparatus are disclosed. Preferred embodiments comprise one or more flexural resonator sensing elements. In preferred embodiments a sensor or a sensor subassembly is ported to multiple fluidic systems.

WO 2005/103674 A2